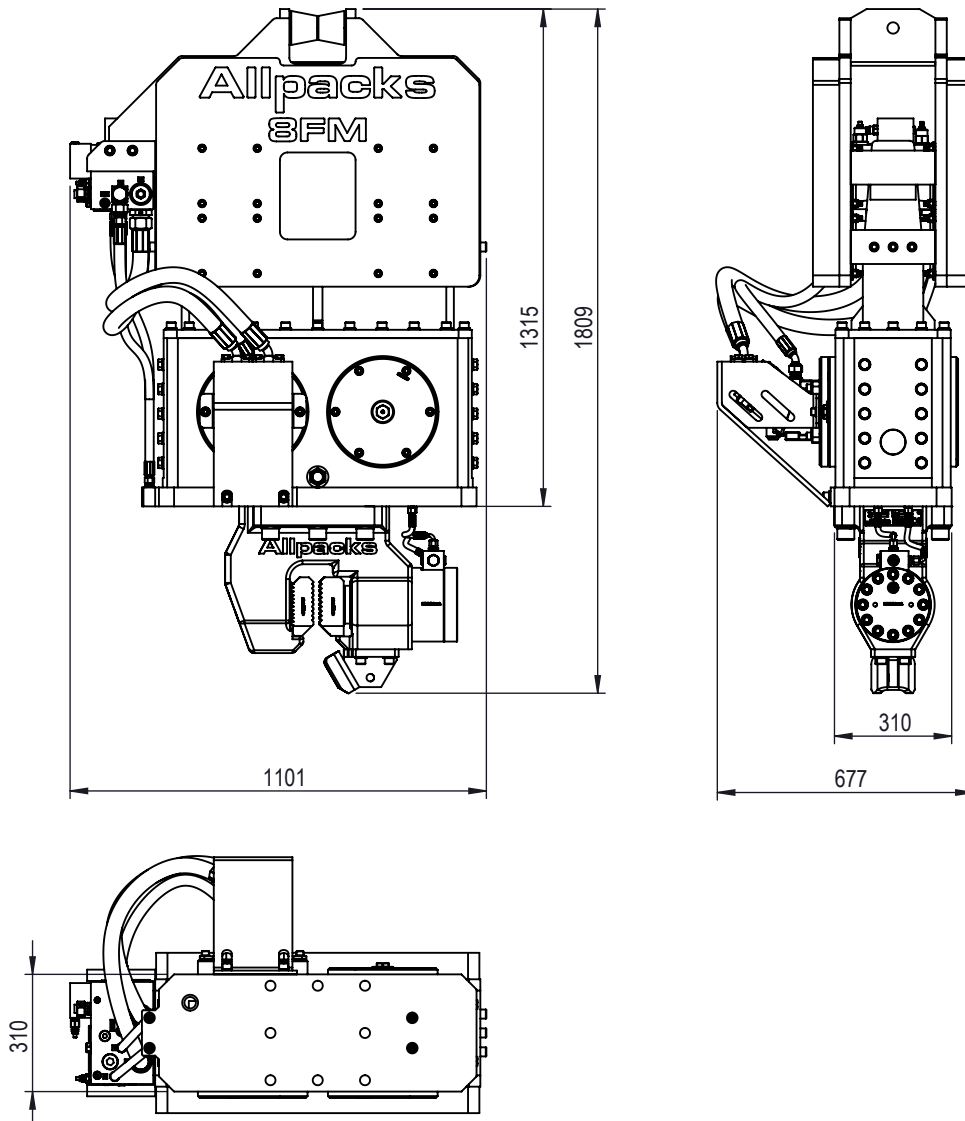


Specifications 8FM Eng. 01-08-17



Specifications

Eccentric moment	8	kgm
Frequency	2200	rpm
Centrifugal force	362	kN
Dynamic weight	700	kg
Amplitude	22.9	mm
Amplitude incl. clamp	16.6	mm
Max. Static line-pull	120	kN
Max. Operating pressure	350	bar
Max. Oil flow	200	l/min
Total weight w.o. clamp	1550	kg

Clamps

Universal	60UC
Weight	265 kg

Powerpack

Type	200VH
Weight	5000 kg